

polypropylen storage tanks

DESCRIPTION ...

Tanks are produced in square or cylinder shape. Standard solution is a supply of a lid with UV stabilizers.

Tanks could be produced, as per requirement of the client, also in atypical shape and equipped with valves, pipes, mixer, technological bars, stopmark, etc.

Requirements for bigger volumes are met by supplies in a brick-box form and are completed on spot.

SITING ...

Tanks are designed as nonself-supporting (the tank has to be embedded in concrete) or as self-supporting (without concret around). Tanks can be sited on the ground or under the ground. Individual alternatives of siting should be consulted with the producer.

UTILIZATION ...

Storage tanks are supplied as whole plastic containers determined for storage of different kinds of liquids and loose material. Their wide use is namely in chemical and foodstuff industry, but also in agriculture.

These tanks are nowadays used for the accumulated rain water with family houses.

Tanks are produced from construction sheets and elements from polypropylen which are in compliance with regulations regarding manipulation with food items. These materials are resistant to highly aggressive materials (concentrated acids, etc.).

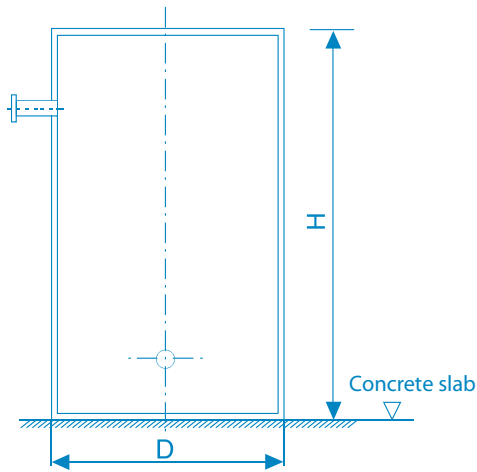
ADVANTAGES ...

- low weight
- easy assembly
- minimum construction works required during setting
- resistance against aggressive materials
- 100% waterproof
- construction in self-carrying execution
- variability in shape and accessories
- affordable price

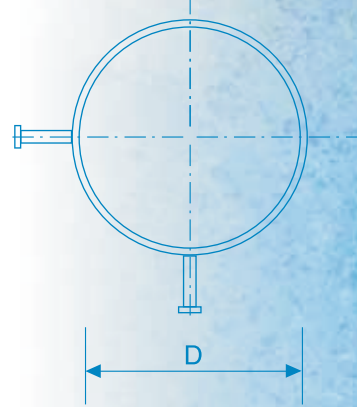


STANDARD CONSTRUCTION OF TANKS

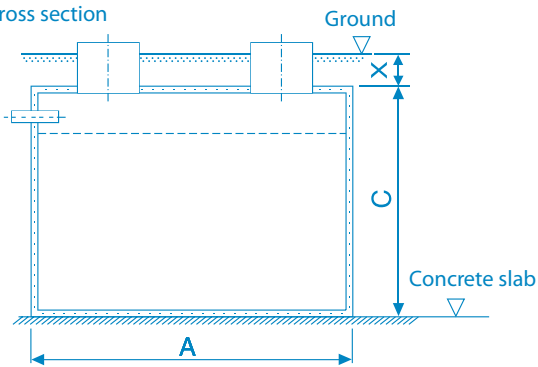
Cross section



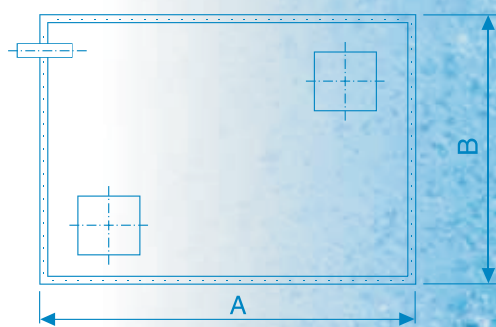
Ground plan



Cross section



Ground plan



TECHNICAL PARAMETERS (ANGULAR TANKS)

Type of tank	Capacity	A	B	C	Weight
	m ³				mm
PKS/1	0,8	1160	1000	1100	150
PKS/1,5	1,6	2160	1000	1100	200
PKS/2,5	2,6	2000	1160	1600	270
PKS/3,5	3,5	2000	1160	2100	350
PKS/5	5,3	2500	1660	1600	380
PKS/7	7,2	2500	1660	2100	480
PKS/8,5	8,6	3000	1660	2100	530
PKN/11,5	11,5	3000	2160	2100	620
PKN/15	15,4	4000	2160	2100	750
PKN/19	19,2	5000	2160	2100	900

TECHNICAL PARAMETERS (CYLINDRICAL TANKS)

Type of tank	Capacity	D	H	Weight
	m ³			mm
PKS/0,7	0,7	1000	1000	35
PKS/1	1,0	1000	1500	45
PKS/1,5	1,5	1000	2000	65
PKN/2	1,7	1500	1000	75
PKN/2,5	2,5	1500	1500	95
PKN/3,5	3,5	1500	2000	120
PKN/4,5	4,5	2000	1500	160
PKN/6	6,0	2000	2000	180
PKN/7,5	7,5	2000	2500	220
PKN/9	9,0	2000	3000	250

Dimension of **X** can be adjusted individually with regard to local conditions.

It is possible to site it into the grass land with height of the soil 250mm.

PKS – self-supporting construction

PKN – not self-supporting construction



EKOPLAST TELČ s.r.o.

Hradecká 8, 588 56 Telč
 tel/ +420 567 563 781
 fax/ +420 567 563 785
 mobil/ +420 606 711 050
 email/ ekoplast@ekoplast.cz
 web/ www.ekoplast.cz



**THIS PROJECT IS CO-FINANCED
 BY THE EUROPEAN UNION**

**TECHNOLOGY
 FOR ENVIRONMENT**